

8

7

6

5

4

3

2

1

REV:

DESCRIPTION:

BY

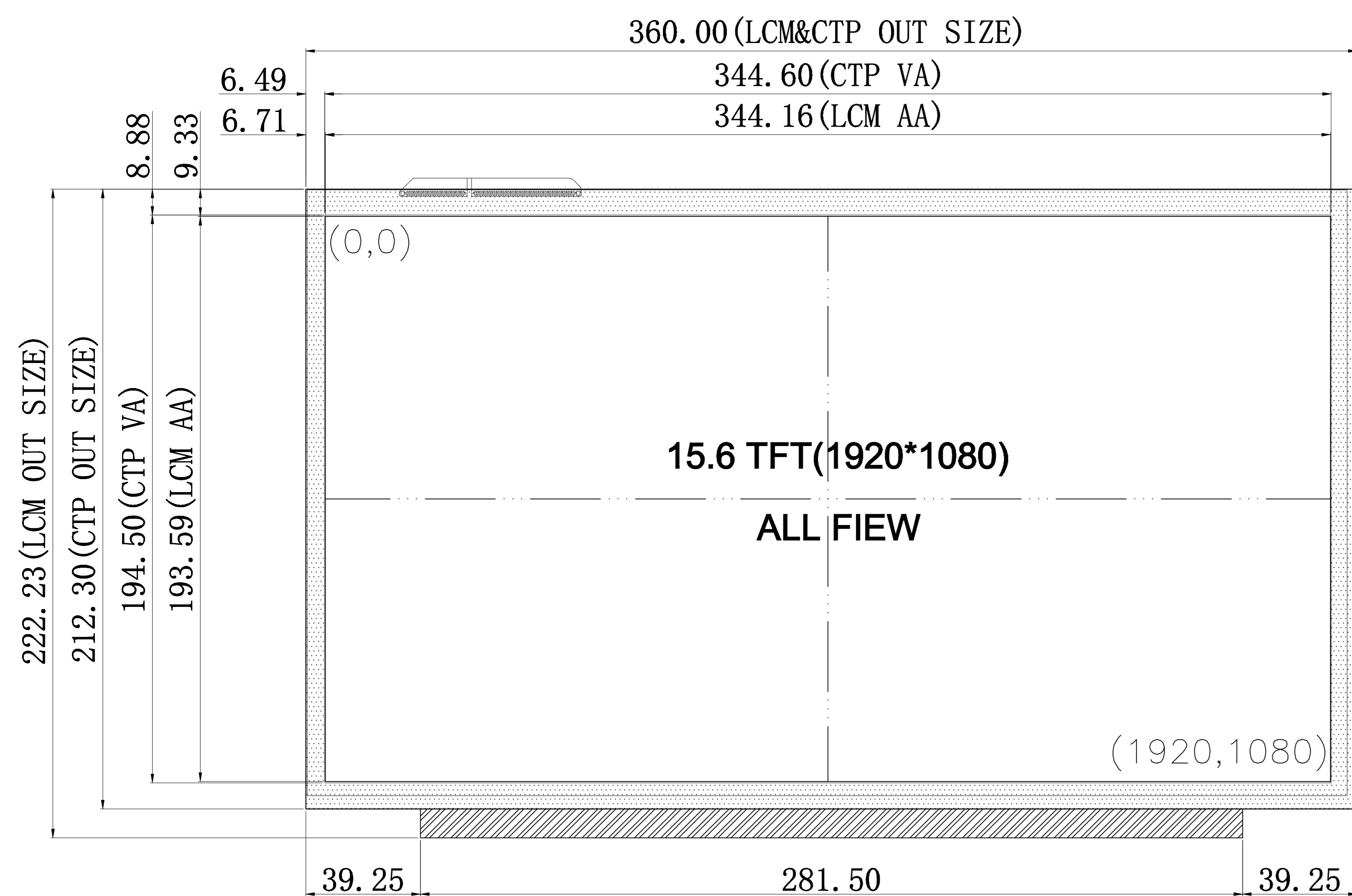
DATE

A0

First Design

JSW

2018-10-19



10.50

6.40  
2.00

360.00

BL(A,K)

元件区

15.00

212.30

222.23

15.00

15.00

CN6

BL(A,K)

CN4

CN3

CN2

CN1

80.00

74.00

30

127.00

135.00

30

20.00 (MAX)

CN1 (DC POWER)

1	+5V
2	NC
3	NC
4	GND

CN2 (CTP-USB)

1	VBUS(+5V)
2	USB-D-
3	USB-D+
4	GND

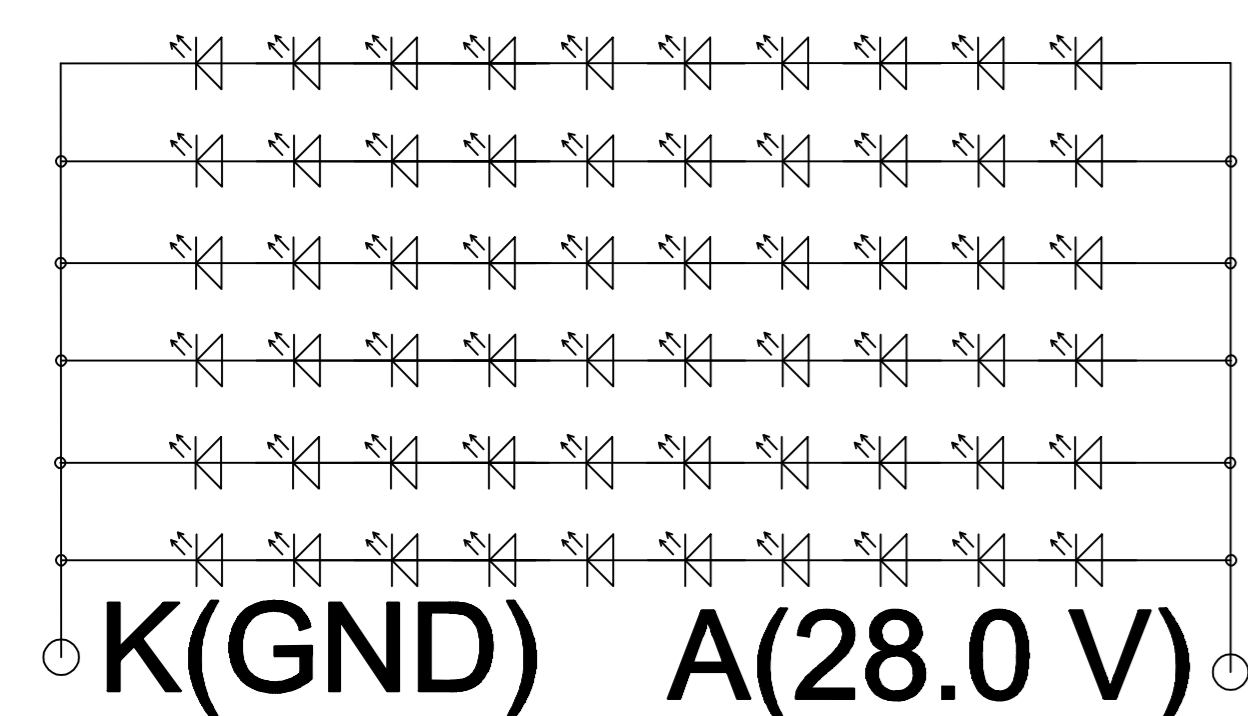
CN3 (HDMI)

1	RX-D2+
2	GND
3	RX-D2-
4	RX-D1+
5	GND
6	RX-D1-
7	RX-D0+
8	GND
9	RX-D0-
10	RX-DCLK+
11	GND
12	RX-DCLK-
13	CEC
14	NC
15	SCL
16	SDA
17	GND
18	+5V
19	HOT-DET

CN4 (CTP-IN)

1	VCC
2	DN
3	DP
4	GND

## LED CIRCUIT



CN5 (LCD)

NO.	1	2	3	4	5	6	7	8	9	10	11	12	13	14	15
NAME	NC	H-GND	Lane1-	Lane1+	H-GND	Lane0-	Lane0+	H-GND	AC+	AC-	H-GND	VCC	VCC	NC	GND(L)
NO.	16	17	18	19	20	21	22	23	24	25	26	27	28	29	30
NAME	GND(L)	HPD	NC	NC	NC	NC	NC	NC	NC	NC	NC	NC	NC	NC	NC

No.	Item	Specification	Unit
1	LCM Design	15.6TFT+CTP+PCBA	-
2	Number of Pixels	1920(W)x3(RGB)x1080(H)	pixels
3	Active Area	344.16(H)x193.59(V)	mm
4	Outline Dimension	360.00(W)x222.23(H)x20.00(T)	mm
5	Display Mode	IPS	-
6	Viewing Direction	ALL VIEW	-
7	Display Color	16.7M	-
8	Contrast Ratio	1000(TYPE)	-
9	Backlight	White LED(6*6)	-
10	Luminance(cd/m2)	600(MIN)	cd/m2
11	Operation Temp.	-20~70 °C	°C
12	Operation Current	950 mA @ 12.0V	mA
13	Interface	HDMI Video and USB Touch	-
14	Download Port	NC	-
15	External Interface	BackLight DC Power (28.0V)	-

## CTP Technicl data:

1. Structure: Lens + ITO Glass + FPC+Adhesive.
2. IC: ILI2511, TX23\*RX41, G+G
3. Operating: 2.8V~3.3V
4. Surface hardness:  $\geq 6H$
5. Trasmittance:  $\geq 85\%$
6. Operating Temp:  $-20^{\circ}\text{C} \sim +70^{\circ}\text{C}$ ,  $\leq 90\%RH$
7. Storage Temp:  $-30^{\circ}\text{C} \sim +80^{\circ}\text{C}$ ,  $\leq 90\%RH$
8. Unspecified Tolerance:  $\pm 0.2\text{mm}$ .

UNLESS OTHERWISE NOTED:		DRAWING TYPE: <b>HDMI</b>	REV: <b>A0</b>
UNITS	DECIMAL	DRAWING No.: <b>FVD156AI30BH1-C01</b>	
	OVER INCLUDING	CHECKED BY:	DATE:
MM	0 TO 6 ±0.1 6 TO 30 ±0.2 30 TO 100 ±0.3		
ANGLES	PLATED THRU HOLES +0.08 -0.03	THIRD ANGLE PROJECTION	
±0.5°	NON-PLATED THRU HOLES +0.08 -0.03	SCALE 1 : 1	SHEET: 1 OF 1

4

3

2

1